

Tidy Bins - Twin Compartment

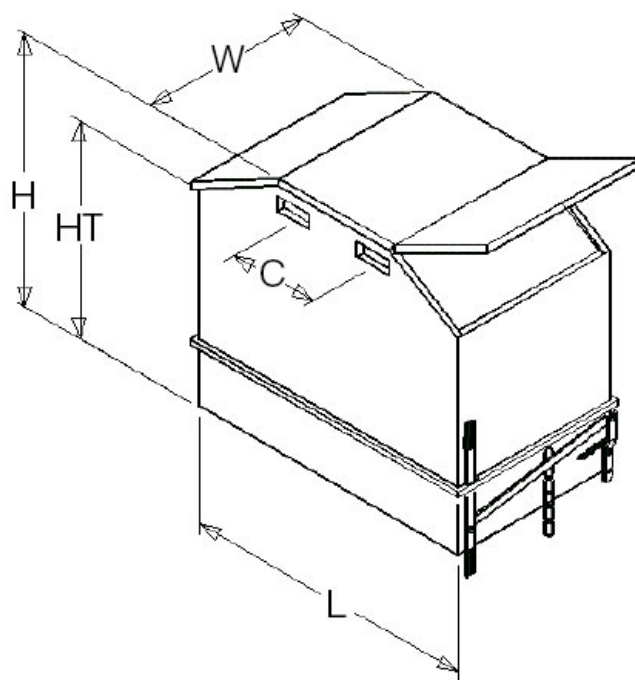
The ideal way to separate your lightweight waste in your warehouse or factory.

Recycle more efficiently through use of the split top and central divider.

The bins feature two large lids for easy loading and individual drop bottom bases with self closing latches, making waste disposal quick and simple



	ATB 10/2 (split bin)	ATB 15/2 (split bin)
Capacity (m ³)	1.0	1.5
Capacity (kg)	350	350
Unladen weight (kg)	150	190
Skip/Outside dimensions		
Length - L (mm)	1650	1650
Width - W (mm)	960/1020	960/1020
Height - H (off floor mm)	1120	1420
Height - HT (floor - tip mm)	860	1160
Base size (mm)	1500 x 906	1500 x 906
Loading apertures	390 x 850	390 x 850
Fork Tunnels		
Centres - C (mm)	444	444
Pocket size (mm)	180 x 75	180 x 75



Range Features

- Central divider for waste separation
- Independent drop bottom bases for each compartment
- Self closing latches on base after emptying
- No forklift modifications required for lifting
- Six heavy-duty castors for easy transport
- Optional gas strut available to hold doors open



LIFTTRUCK
ATTACHMENTS

Albert Einsteinweg 5
NL-5151 DK
Drunen

Tel: +31(0)73- 640 00 52
www.ltabenelux.com
info@ltabenelux.com