

Tidy Bins - ATB

Ideal for light waste in the warehouse or factory, the Tidy Bins come with two top opening doors. With self closing latches, the bins are emptied via a drop opening base and incorporate enclosed fork guides on the top to enable a completely clear exit for waste.

Fitted with heavy duty castors for easy manoeuvrability, these Tidy Bins offer the perfect solution for fast and efficient waste removal



Range Features

- Hinged lids to secure contents
- Colour code the bins
- Can help comply with ISO 14001
- Easy to empty from the base
- Castors ensure they are simple to move
- Fork guides to make unloading simpler
- Optional gas strut available to hold doors open
- Separate different categories of waste (ATBxx/2 models)

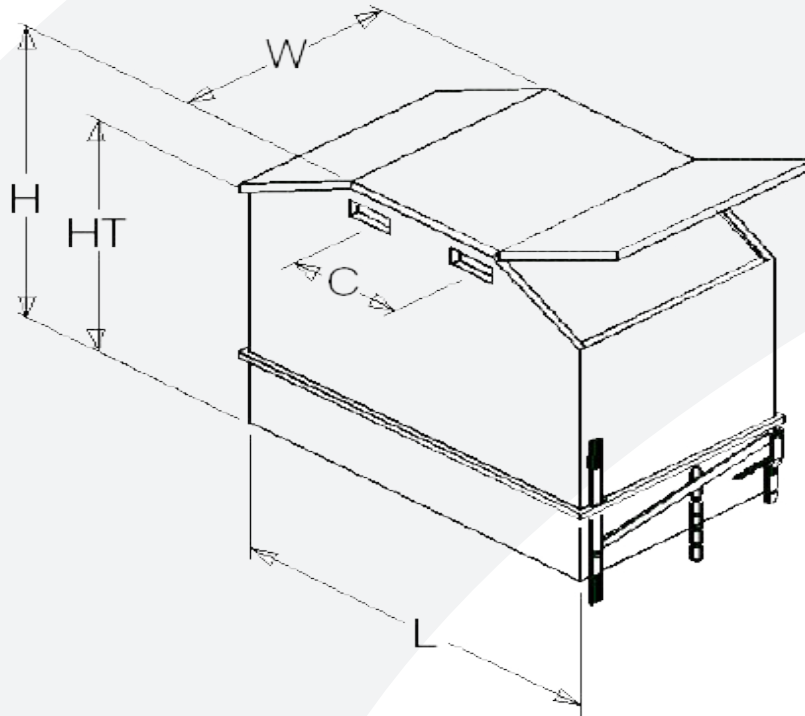


LIFTTRUCK
ATTACHMENTS

Albert Einsteinweg 5
NL-5151 DK
Drunen

Tel: +31(0)73- 640 00 52
www.ltabenlux.com
info@ltabenlux.com

Tidy Bins - ATB



	ATB 10 (tidy bin)	ATB 15 (tidy bin)	ATB 10/2 (split bin)	ATB 15/2 (split bin)
Capacity (m ³)	1.0	1.5	1.0	1.5
Capacity (kg)	350	350	350	350
Unladen weight (kg)	150	190	150	190
Skip/Outside dimensions				
Length - L (mm)	1650	1650	1650	1650
Width - W (mm)	906/1020	906/1020	960/1020	960/1020
Height - H (off floor mm)	1120	1420	1120	1420
Height - HT (floor - tip mm)	860	1160	860	1160
Base size (mm)	1500 x 906	1500 x 906	1500 x 906	1500 x 906
Loading apertures	390 x 850	390 x 850	390 x 850	390 x 850
Fork Tunnels				
Centres - C (mm)	444	444	444	444
Pocket size (mm)	180 x 75	180 x 75	180 x 75	180 x 75



LIFTTRUCK
ATTACHMENTS

Albert Einsteinweg 5
NL-5151 DK
Drunen

Tel: +31(0)73- 640 00 52
www.ltabenlux.com
info@ltabenlux.com