

Base Emptying Stillage - Semi Automatic



A simple but effective means of collecting, moving and safely dumping factory waste. These containers dump the waste through the base, which opens by means of a pull-cord. The base automatically re-locks when lowered onto a hard surface. Can also be supplied with castors and lids if required.

Model Ref	Volume Capacity	Load Capacity
BDB 5	0.5m ³	1000kg
BDB 10	1.0m ³	1250kg
BDB 15	1.5m ³	1500kg

Manufactured from 2mm thick steel side plates & 3mm thick base plate, for a long service life

Simple to operate manual wire pull cord release - no mechanical parts to breakdown

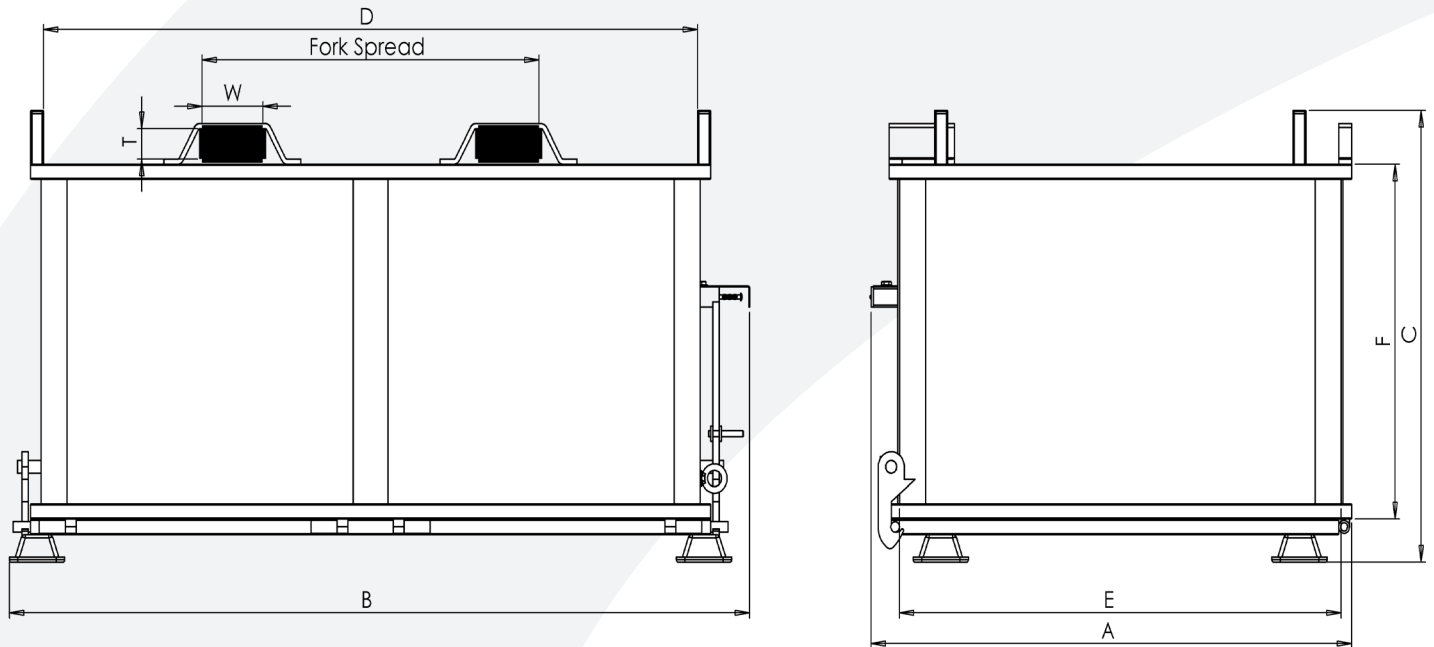
Base automatically locks when lowered onto a solid surface, helps speed up operations

Pallet feet fitted to underside of stillage to allow safe and convenient stacking

Supplied with safety security chain to ensure the stillage is positively connected to the truck



Base Emptying Stillage - Semi Automatic



Model Ref	A (mm)	B (mm)	C (mm)	D (mm)	E (mm)	F (mm)	W (mm)	T (mm)
BDB 5	949	1203	788	1004	860	603	140	60
BDB 10	1105	1696	888	1497	1016	703	140	60
BDB 15	1105	2003	1023	1804	1016	838	140	60

Model Ref	Fork Spread (mm)	Minimum Fork Length Required (mm)	Weight (kg)
BDB 5	949	1203	788
BDB 10	1105	1696	888
BDB 15	1105	2003	1023



LIFTTRUCK
ATTACHMENTS

Albert Einsteinweg 5
NL-5151 DK
Drunen

Tel: +31(0)73- 640 00 52
www.ltabenlux.com
info@ltabenlux.com