

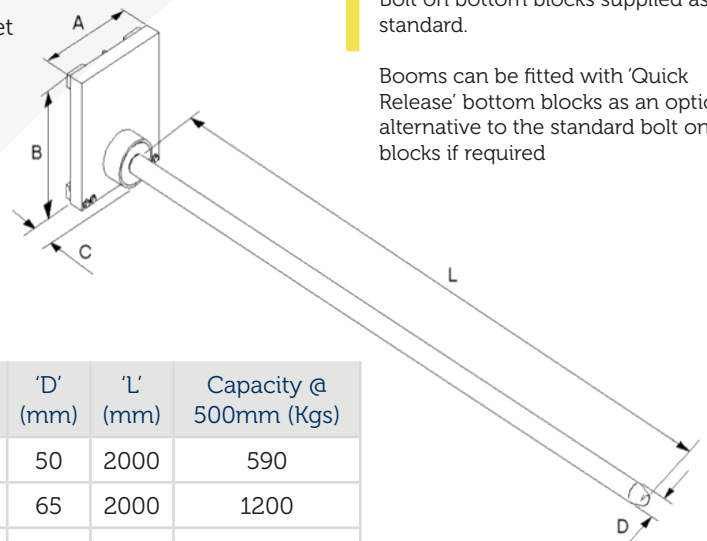
# Carriage Mounted Coil Boom - CMB

Our carriage mounted coil booms are ideal for rolled product handling when dedicated usage of the forklift truck is intended

Designed with a shorter pole length than our conventional carpet booms, our coil booms offer the solution when it comes to handling coiled, rolled or cylindrical products such as steel coils, reels of wire, concrete pipes etc.

## Features & Benefits

- Designed with a shorter pole length suitable for handling coiled, rolled or cylindrical products
- Carriage mounted to allow for dedicated use with forklift truck
- High grade EN19T steel, offering strong, durable and long service life properties
- Bearing plate and shrink ring combination absorbs damaging shock loads during transit
- Leading edge nose cone designed to avoid damage to the roll being handled whilst offering easy 'glide in' pick up
- CE marked and supplied with Certificate of Conformity to meet health and safety regulations



Bolt on bottom blocks supplied as standard.

Booms can be fitted with 'Quick Release' bottom blocks as an optional alternative to the standard bolt on blocks if required

	Class 2		Class 3		Class 4						
Model Ref	'A' (mm)	'B' (mm)	'A' (mm)	'B' (mm)	'A' (mm)	'B' (mm)	'C' (mm)	'D' (mm)	'L' (mm)	Capacity @ 500mm (Kgs)	
<b>CMB 50</b>	400	500	500	600	-	-	60	50	2000	590	
<b>CMB 65</b>	400	500	500	600	-	-	80	65	2000	1200	
<b>CMB 70</b>	400	500	500	600	-	-	140	70	2000	1534	
<b>CMB 75</b>	400	500	500	600	-	-	140	75	2000	1848	
<b>CMB 90</b>	400	500	500	600	-	-	140	90	2000	3305	
										Capacity @ 600mm (Kgs)	
<b>CMB 100</b>	-	-	-	-	400	790	140	100	2000	3768	
<b>CMB 110</b>	-	-	-	-	400	790	150	110	2000	5024	
<b>CMB 115</b>	-	-	-	-	400	790	150	115	2000	5652	
<b>CMB 125</b>	-	-	-	-	400	790	150	125	2000	7348	



**LIFTTRUCK**  
ATTACHMENTS

Albert Einsteinweg 5  
NL-5151 DK  
Drunen

Tel: +31(0)73- 640 00 52  
www.ltabenelux.com  
info@ltabenelux.com