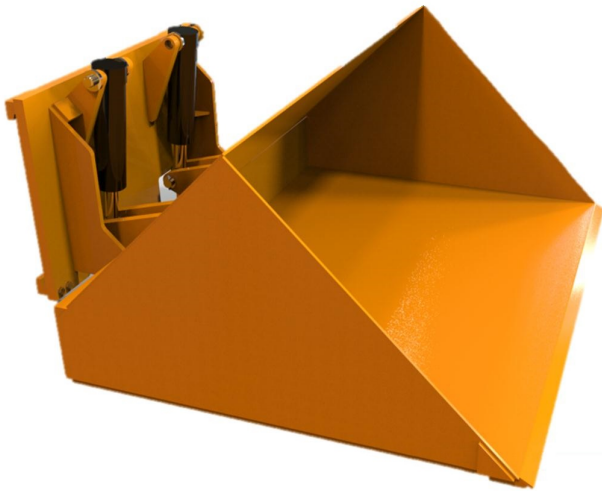
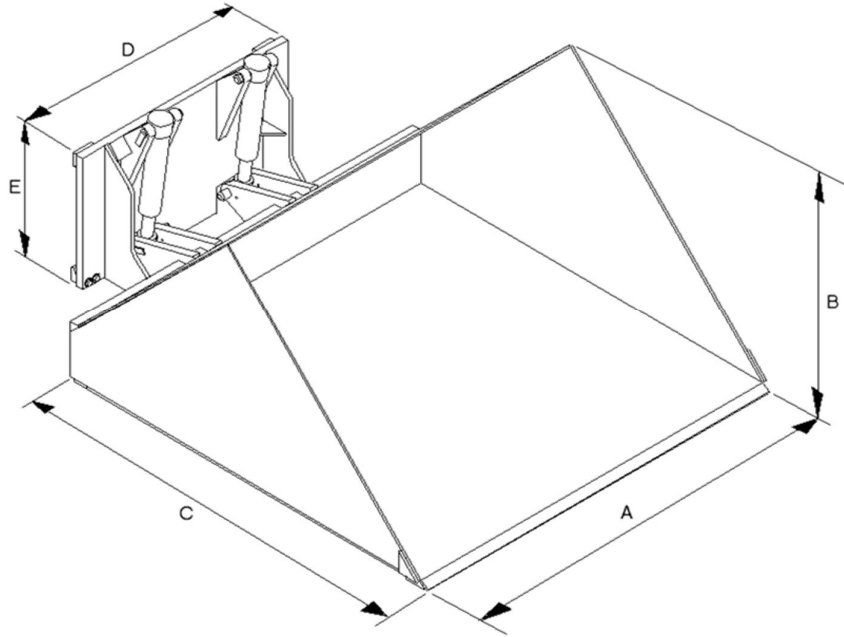


# Carriage Mounted Scoop - CMS



The ideal solution for fork trucks that are dedicated to scooping applications. Hydraulically operated bucket with infinitely controllable discharge rate. Calibrate design with low service requirement. The scoop fits directly onto the truck carriage.

To fill the bucket, the material should be approached with the bucket at ground level. The truck is driven carefully forwards with the mast vertical, until the bucket fills. When picking up material such as sand or aggregate from a substantial heap, the attachment should not be driven directly into the heap. The approach should be at ground level, but the mast should be slowly raised as the truck is driven forwards so that the bucket runs up and fills off the angled face of the heap.



Model Ref.	Capacity	Weight	C of G Min	C of G Max	Load Centre
CMS 20H	1000Kg	160Kg	750mm	1080mm	1220mm
CMS 40H	1500Kg	180Kg	790mm	1120mm	1220mm
CMS 50H	1500Kg	190Kg	750mm	1080mm	1260mm
CMS 100H	2000Kg	230Kg	790mm	1120mm	1260mm

Model Ref.	Volume	Min Truck Cap	A (Bucket Height)	B (Bucket Width)	C (Bucket Length)	D (Carriage Width)	E (Carriage Height)
CMS 20H	0.20m <sup>3</sup>	1000Kg	505mm	800mm	840mm	730mm	500mm
CMS 40H	0.40m <sup>3</sup>	1500Kg	608mm	1000mm	1100mm	730mm	500mm
CMS 50H	0.50m <sup>3</sup>	1500Kg	608mm	1250mm	1100mm	730mm	500mm
CMS 100H	1.00m <sup>3</sup>	2000Kg	850mm	1500mm	1500mm	900mm	500mm



**LIFTTRUCK**  
ATTACHMENTS

Albert Einsteinweg 5  
NL-5151 DK  
Drunen

Tel: +31(0)73- 640 00 52  
www.ltabenelux.com  
info@ltabenelux.com