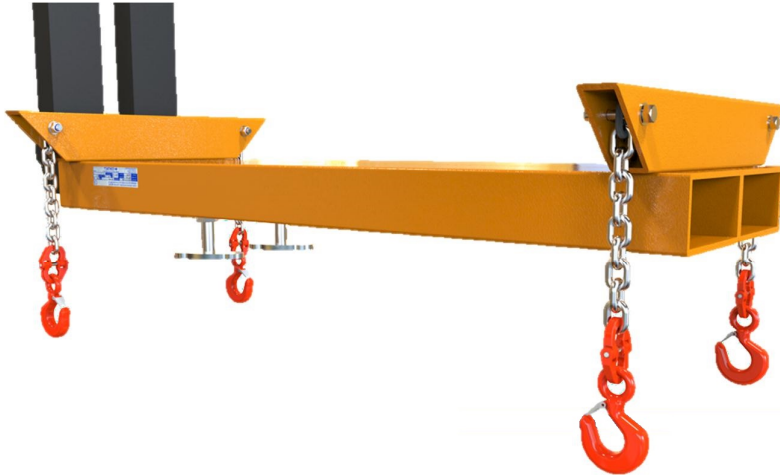


# Battery Changer - FBC



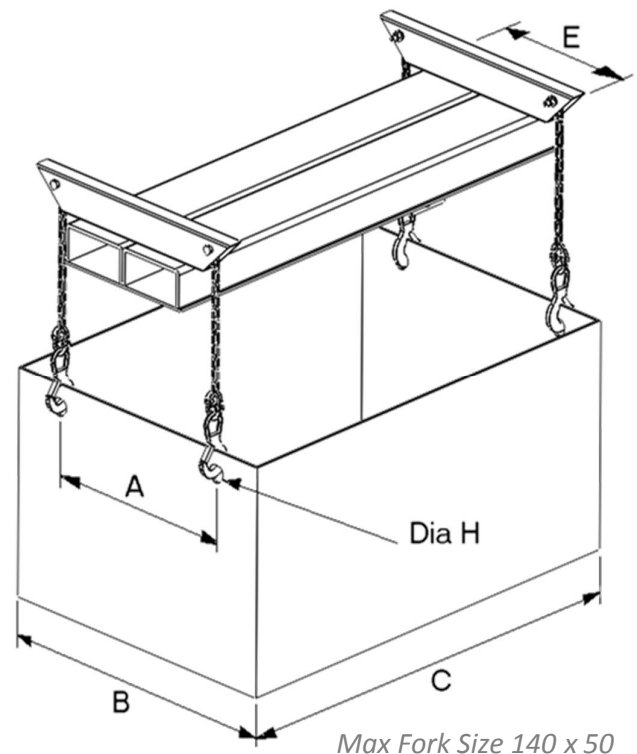
To use the attachment, ensure that the truck seat, battery cover etc. are tilted out of the way and that there are no obstructions to prevent the battery being lifted. Raise the forks until the attachment is above battery level, allowing clearance to fit the hooks.

Drive the truck forwards so that the attachment is between the battery and the overhead guard and positioned centrally along the battery length.

When the attachment is in place, fit the hooks one through each hole in the outer steel casing. In the event of only one hole being available in each end of the casing fit 2 hooks through each end, if hole diameters permit. Failing this ensures that the free legs are back-hooked out of the way. Position hooks to face outwards from the battery.

The fork-mounted battery is designed for use where headroom is restricted. The chain anchorage points are positioned above the fork pockets to allow the beam to get closer to the battery during a lift, thus making it the perfect choice when lifting a battery out from a confined space. The unit comes with 4 single leg chain assemblies positioned on each corner. The grade 10 chain assemblies have a clevis hook on the end, with a safety catch to ensure once you lock the hook onto the battery casing, no loss of load can occur.

Supplied as standard with a 12-month warranty and complete with a certificate of conformity, the unit is CE marked and fully compliant with stringent health and safety legislation.



Max Fork Size 140 x 50



**LIFTTRUCK**  
ATTACHMENTS

Albert Einsteinweg 5  
NL-5151 DK  
Drunen

Tel: +31(0)73- 640 00 52  
www.ltabenelux.com  
info@ltabenelux.com