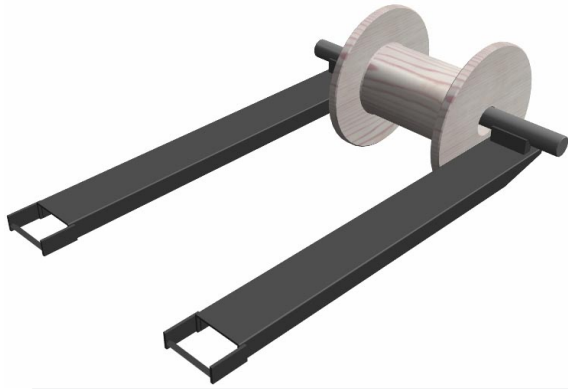


Reel Handler - Fork Mounted (Fixed Position)



Handle reels safely and securely via the forklift truck forks with these reel handling fork attachments.

Designed to locate and lift on the reels spindle, the reel handling attachments Spindle Location point can be positioned anywhere across the sleeves length to suit the application

Model Ref	Load Capacity (kg)	Fork Retention
FEX-VB	1000	Heel Pins

Features & Benefits

- Fixed Position along fork blade length for load handling
- Manufactured to order ensures the spindle diameter fits the reel spindle perfectly
- Heel Pin retention provides a positive grip to forklift forks
- Fully tested and supplied with Certificate of Conformity

Ordering information - Please specify

Spindle/bar diameter ?

Forklift fork section size (width x thickness x Length) ?

Spindle Bar Location Point Load Centre?



LIFTTRUCK
ATTACHMENTS

Albert Einsteinweg 5
NL-5151 DK
Drunen

Tel: +31(0)73- 640 00 52
www.ltabenelux.com
info@ltabenelux.com