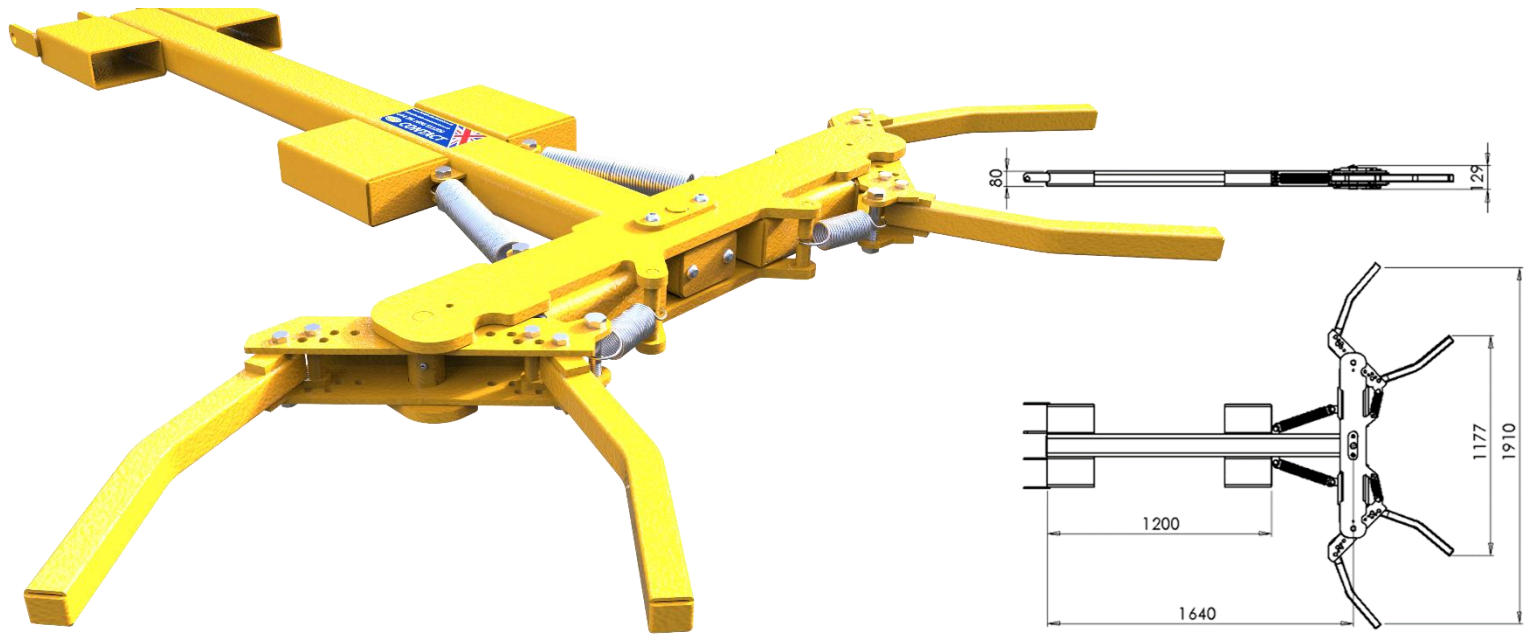


Fork Mounted Car Mover - FM- Car Mover



The forklift car mover is a specialist attachment for handling vehicles via lifting around the tyres. The unit simply slips onto the forklift forks and has two articulating arms allowing the unit to grab a car safely and securely, without causing tyre damage. An oilite bearing is used inside the main beam enables the head to pivot, ensuring a vehicle can be towed once lifted. Spring loaded arms and cross beam as standard, return to their original positions ensuring the unit is simple to use. Simply drive under the vehicle with the attachment prone to the ground. The arms contact the tyre and forward motion causes the arms to pivot and grab the tyre. Once lifted, the generous turning circle ensures the vehicles can be accurately manoeuvred into their desired location.

The ability to manoeuvre vehicles without a driver means vehicles can be parked closer to each other without the need to allow space to open and close doors, and with a safe working load of 1500kgs and the ability to adjust the spacing of the arms, our car mover will handle a wide variety of makes, models and sizes safely and efficiently.

Perfect for garages, body shops and impound yards, our car mover is an easy, quick and affordable way of moving vehicles, with a purely mechanical design. The unit comes certified and with our 3-year warranty as standard. Hydraulic model also available upon request.

Product Code	SWL	C of G (H)	Mass
FM-Car-Mover	1500kgs	1219mm	133kgs



LIFTTRUCK
ATTACHMENTS

Albert Einsteinweg 5
NL-5151 DK
Drunen

Tel: +31(0)73- 640 00 52
www.ltabenlux.com
info@ltabenlux.com