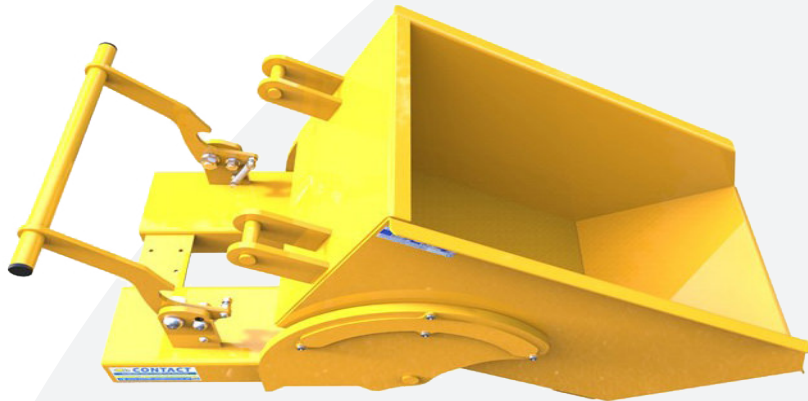


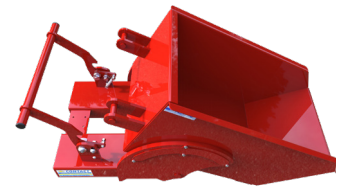
# Tipping Skips Mini - RFS-C



Manufactured to a smaller size than our standard range of tipping skips, this mini skip is ideal for placing underneath metal punching machines and other machines where collection of small metal etc is required

The skip fits to the forklift in a conventional manner and sits on the fork tips. A chain is provided to secure the unit to the forklift

Skips can be colour coded to adhere to stringent and environmental policies



## Features & Benefits

- Small size makes suitable for placing in areas of confined space.
- Manufactured from robust 3mm gauge steel for durability
- Heavy duty steel underframe offering long service life properties
- Twin locking mechanism for added safety to ensure skip is locked if loaded unevenly
- Castors fitted as standard to aid manoeuvrability
- Safety security chain to ensure safe retention to forklift truck
- Bolted tipping handle for easy replacement (no welding required)

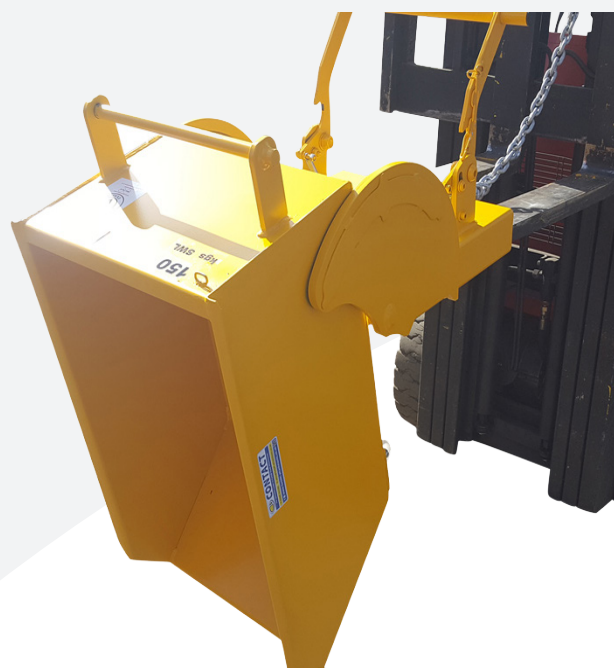


**LIFTTRUCK**  
ATTACHMENTS

Albert Einsteinweg 5  
NL-5151 DK  
Drunen

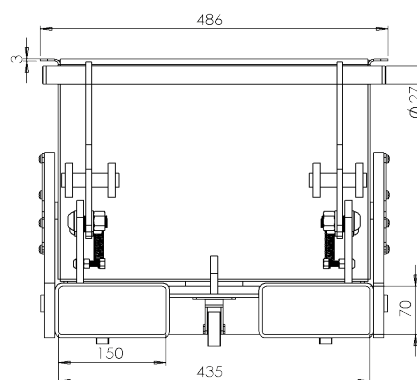
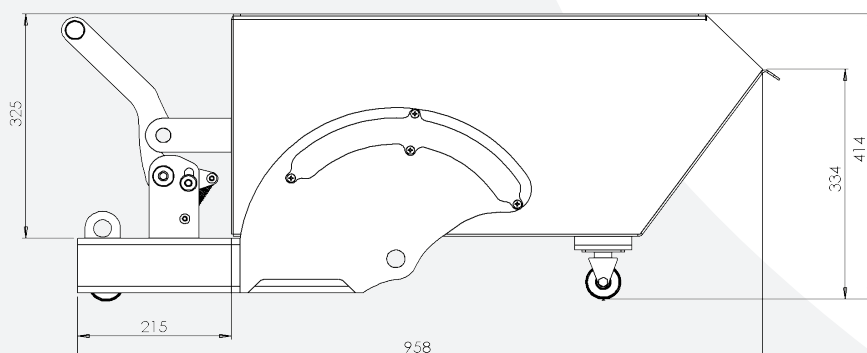
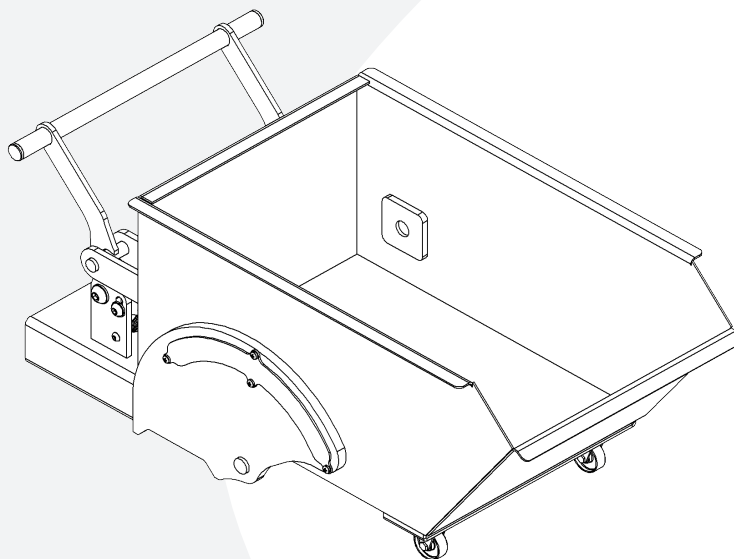
Tel: +31(0)73- 640 00 52  
[www.ltabenelux.com](http://www.ltabenelux.com)  
[info@ltabenelux.com](mailto:info@ltabenelux.com)

# Tipping Skips Mini - RFS-C



Model Ref	Volume Capacity (m <sup>3</sup> )	Load Capacity (kg)	Weight (kg)
RFS 10L-C	0.10	150	65

Maximum Fork Section 140mm x 60mm



**LIFTTRUCK**  
ATTACHMENTS

Albert Einsteinweg 5  
NL-5151 DK  
Drunen

Tel: +31(0)73- 640 00 52  
[www.ltabenelux.com](http://www.ltabenelux.com)  
[info@ltabenelux.com](mailto:info@ltabenelux.com)