

Goods Transfer Platforms Lorry Loading - TP-LP

Our loading platform has been designed to enable safe and efficient loading and un-loading of lorry beds. The platform is fitted with a fixed 600mm ramp that can be dropped onto the bed of the lorry, enabling the platform to be loaded with pallets, boxes and goods via hand or via pallet truck



Model Ref	Capacity (kg)	Weight (kg)
LOADING-PLATFORM	1000	338

Features & Benefits

- Fixed 600mm long loading ramp offering easy loading and un-loading capabilities
- Drop down ladder c/w safety hand rails for safe and easy access into and out of platform
- Multi purpose ladder that can also be lifted and locked to form a gate for confinement of goods
- Front rubber buffered side wings for vehicle protection
- Anti slip flooring for secure footing
- Quick release chains fitted to front of platform for goods securement
- Robust mild steel construction offering durable and long service life properties
- Fully enclosed fork pockets for safe and secure fitment to forklift truck

Model Ref	Ramp Length (mm)	Max Fork Section (mm)	Centre of Gravity (mm)	Load Centre (mm)
LOADING-PLATFORM	600	140 x 60	710	650

Please Note: Ladder falls approximately 1200mm below base of platform when lowered



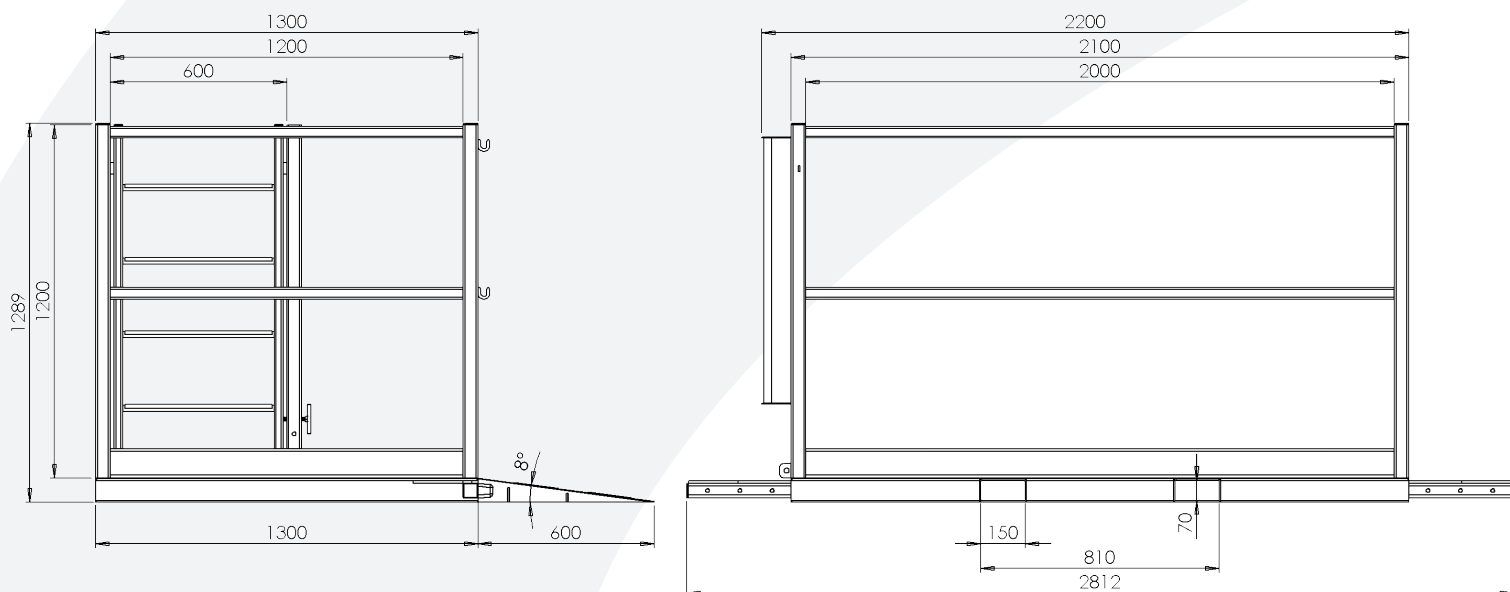
LIFTTRUCK
ATTACHMENTS

Albert Einsteinweg 5
NL-5151 DK
Drunen

Tel: +31(0)73- 640 00 52
www.ltabenelux.com
info@ltabenelux.com

Goods Transfer Platforms - Lorry Loading

Platform Dimensions



Model Ref	Platform Bed Internal Depth (mm)	Platform Bed Internal Width (mm)	Overall Height (mm)
LOADING-PLATFORM	1200	2000	1289



LIFTTRUCK
ATTACHMENTS

Albert Einsteinweg 5
NL-5151 DK
Drunen

Tel: +31(0)73- 640 00 52
www.ltabenelux.com
info@ltabenelux.com